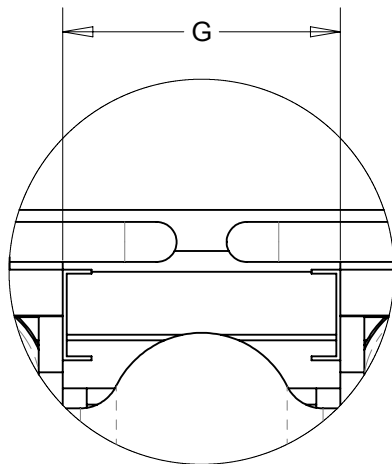
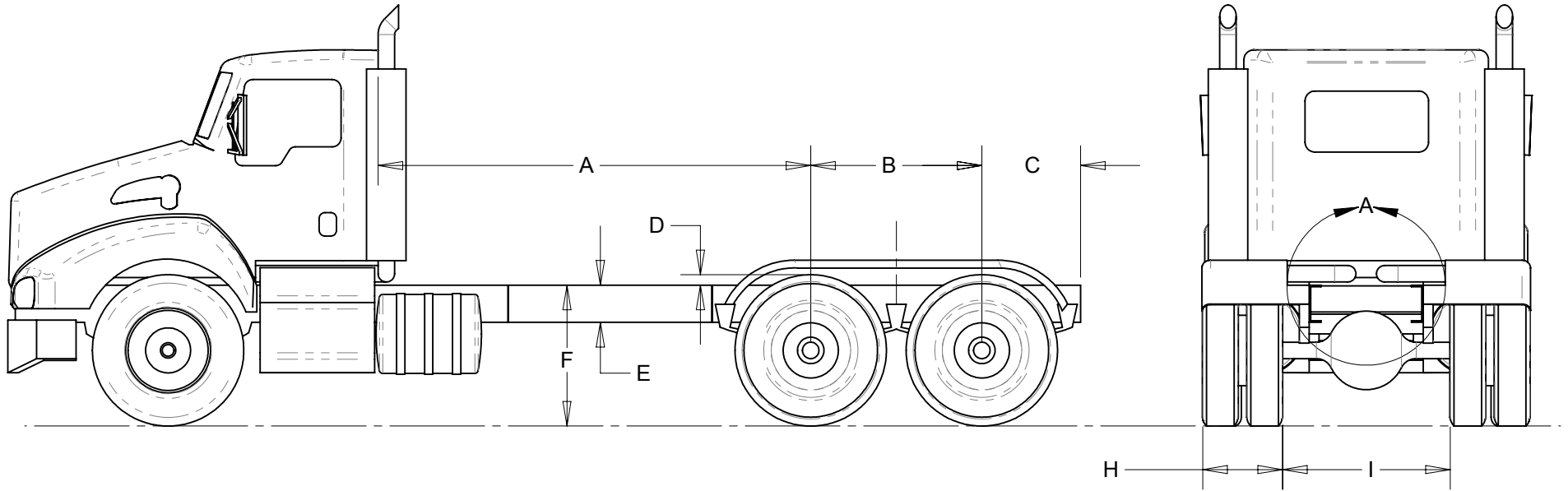
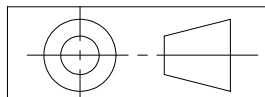


		REVISIONS			
ZONE	REV.	DESCRIPTION	DATE	APPROVED	



DETAIL A
SCALE 1 : 24

DIM	INCHES	DESCRIPTION
A		CAB TO FRONT AXLE
B		CENTER TO CENTER AXLES
C		REAR AXLE TO END OF FRAME
D		TIRE CLEARANCE OVER FRAME
E		FRAME HEIGHT
F		GROUND TO TOP OF FRAME
G		FRAME WIDTH
H		TOTAL TIRE(S) WIDTH
I		CENTER TIRE CLEARANCE



PROPRIETARY AND CONFIDENTIAL

THE INFORMATION CONTAINED IN THIS DRAWING IS THE SOLE PROPERTY OF FSI FABRICATION INC.. ANY REPRODUCTION IN PART OR AS A WHOLE WITHOUT THE WRITTEN PERMISSION OF FSI FABRICATION INC. IS PROHIBITED.

DIMENSIONS ARE IN INCHES
 TOLERANCES:
 FRACTIONAL $\pm 1/16$
 ANGULAR: MACH ± 1 BEND ± 2
 TWO PLACE DECIMAL $\pm .05$
 THREE PLACE DECIMAL $\pm .005$

MATERIAL
 THICKNESS

DO NOT SCALE DRAWING

	NAME	DATE
DRAWN	SGC	
CHECKED		
ENG APPR.	SGC	



FSI FABRICATION

Description

Description2

SIZE A	DWG. NO. T440	REV.
SCALE:1:48	WEIGHT:	SHEET 1 OF 1